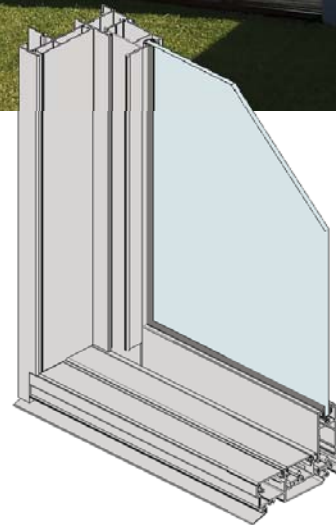




# Series 542 DStacker™ Sliding Door



## DESIGN FEATURES

- High water resistance of 300Pa allows these doors to be installed into most residential locations.
- This door can be fabricated as a multi panel stacker with clean flat sill where all unwanted recess are closed off with snap-on fillers. We have a stacking screen door system to go with the glass doors.
- The 108.60mm wide perimeter frame will couple to a large variety of Vantage adaptors: 180° door to window vertical coupler; 135° door to window bay coupler; 90° door to window bay coupler, door highlight couplers.
- Flat external fillers create a clean closed off frame appearance. On the sill the infills guide water away from the door panels and improve water resistance.
- Door panels can be glazed with thick or insulating glass. We have dedicated stiles for glass up to 16mm thick and an inlay adaptor to accept 20mm Insulating glass units.
- A large variety of locks are available including multi-point mortice lock.
- Heavy door panels can be fitted with double bogey wheels for smooth long term operation. Running rails can be replaced in the future if necessary.
- The item that get the most use on a residential sliding door is the screen door. With this in mind we have designed a screen door system to suit, the main features are:
  - Heavy duty spring loaded wheels top and bottom.
  - Snap fit trailing style interlocker, refer back page.
  - Matching hardware.

Maximum Panel Height	2650mm
Maximum Panel Width	1350mm
Maximum Glass Thickness	≤ 20mm

*Subject to individual site conditions. Contact AWS Technical Support for more information.*



WERS RATED PRODUCT



ENHANCED ACOUSTIC PERFORMANCE



3D & 2D CAD FILES AVAILABLE

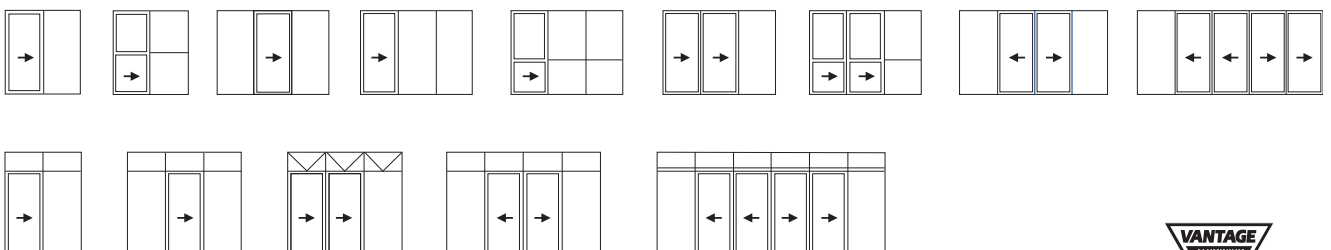


PRODUCT INFORMATION AVAILABLE AT [WWW.VANTAGEALUMINIUM.COM.AU](http://WWW.VANTAGEALUMINIUM.COM.AU)



SPECIFIER ASSISTANCE AVAILABLE

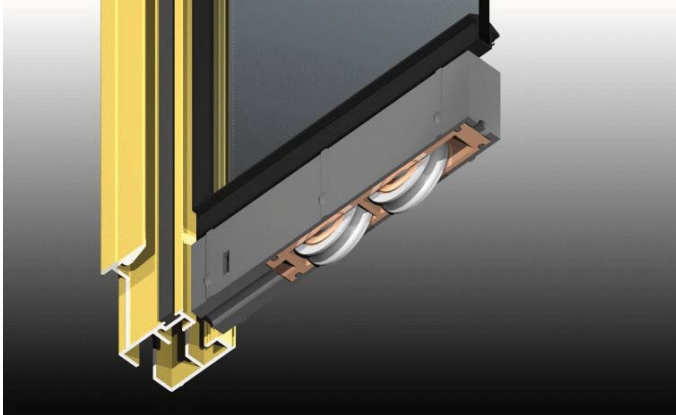
## TYPICAL CONFIGURATIONS



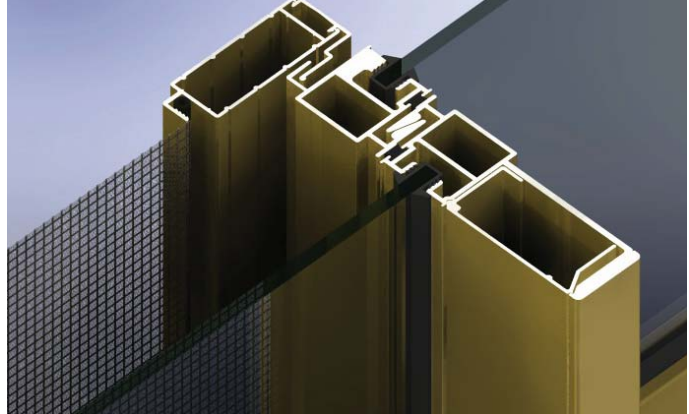


# Series 542 DStacker™ Sliding Door

01.09



Vantage wheels have been custom designed to fit snugly into the door bottom rail. Nothing slides as smooth as a Vantage sliding door. Double bogey wheel used on heavy duty doors as illustrated above.



A key feature with Series 542 is the clean fly door installation. The screen doors have snap-on interlock that nests into the interlock on the glass door. This removes unsightly visible rivets or screws that would occur with plant-on interlocks. This illustration shows the meeting stile span-in closer feature.



ANDO™ Standard Door Lock designed to match the other Vantage ANDO™ hardware. Powder coated 304 stainless steel outer pull handle is standard.



ANDO™ Optional 2-point door lock designed for maximum security with 316 stainless steel locking tongues. The outer pull handles are corrosion resisting powder coated 304 stainless steel.



### 2D & 3D CAD FILES AVAILABLE

[www.vantagealuminium.com.au](http://www.vantagealuminium.com.au) >

CAD & Revit 3D Files

**CAD file: DWG or DXF VAN\_542**



### MORE INFORMATION

For the latest updates regarding this product visit our web site

[www.vantagealuminium.com.au](http://www.vantagealuminium.com.au)