



Architectural Series | Series 462

Architectural Sliding Window (double sash design)

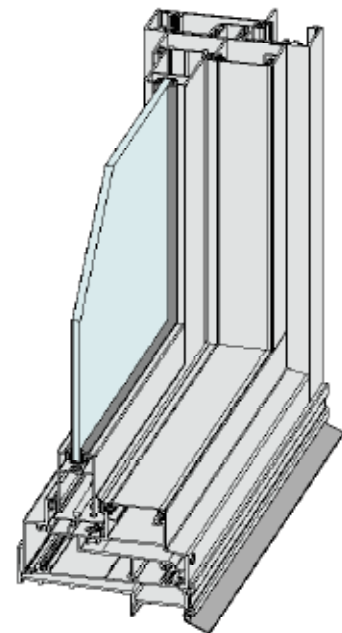


Overview

Series 462 is a commercial grade sliding window, offering bold sash and frame design capable of supporting thick, heavy glazing options.

Key Features

- This 102mm thick commercial grade sliding window has been designed with bold frame lines and thick (strong) sashes that can carry thick heavy glass including double glazing.
- The perimeter frame has been designed to make installation into brick veneer and cavity brick easier with built-in nailing fins (weather bars). The sub-sill that comes with this window also has a built-in nailing fin.
- The extra strong sashes allow large sash windows to be fabricated for high wind load areas.
- Double sash design with the external sash fixed.
- Both fixed and opening sashes can be installed, replaced and/or reglazed from inside the building. This could be an important feature in elevated situations.
- Large variety of window combinations possible (SF, FS, SFS, SS or FSSF) with and without highlights and or lowlights.
- 102mm x 44mm head and sill, 102mm x 30mm jamb, 44mm mullion and 44mm transoms match.
- Sliders can be fitted with surface or mortice deadlocks.
- Sashes run on heavy duty wheel carriages.
- Flyscreens can be fitted - fly screen frames (25 x 11) fit into window using custom frame trims to accept the screen.
- When there is no requirement for flyscreens frame is fitted with cavity closers so there are no unwanted recesses to catch dust or water.
- Co-extruded PVC sill seal keeps water out of the system.
- Built-in proprietary ball valve drainage to transfer any water that may get into the drainage trough to the tubular sump sill, this valve also reduces blow-back through the hooded external drainage holes.
- Will resist up to 300Pa water infiltration and comply with air conditioning requirements.



Maximum Panel Height	1600mm
Maximum Panel Width	1350mm
Maximum Glass Thickness	≤ 20mm

Subject to individual site conditions. Contact AWS Technical Support for information.



WERS RATED PRODUCT



ENHANCED ACOUSTIC PERFORMANCE



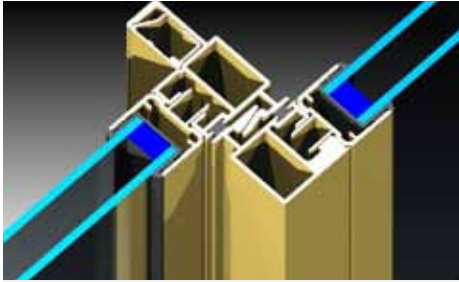
3D & 2D CAD FILES AVAILABLE



PRODUCT INFORMATION AVAILABLE AT
WWW.ELEVATEALUMINIUM.COM.AU



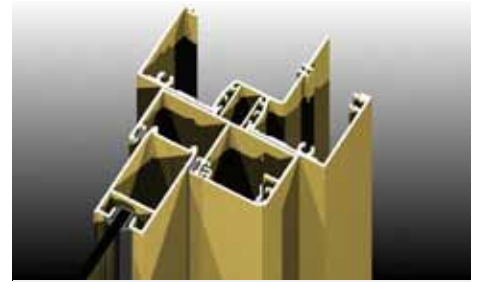
SPECIFIER ASSISTANCE AVAILABLE



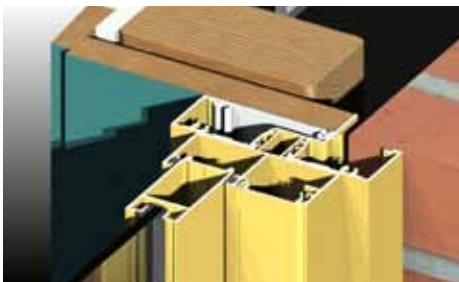
The 462 can accept varying thicknesses of glass, up to 20mm thick as shown above.



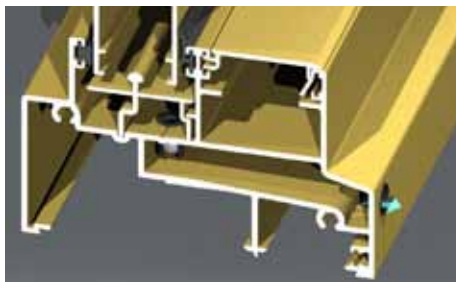
Custom ANDO™ mortice lock with push button release. Face plate coloured to match.



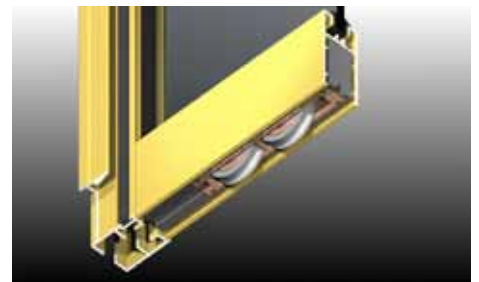
Dedicated jambs enhance bold framing.



Most AWS Commercial products can incorporate nailing fins for residential construction.

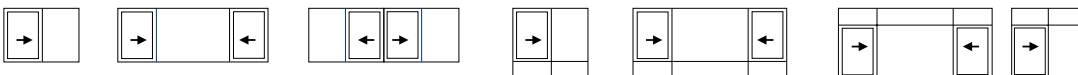


Patented Sill drainage.



Sashes slide on extra heavy duty, large diameter wheels.

Typical Configurations



WERS RATINGS

The table below lists some of the WERS rated glass and frame combinations for this system. For a complete list of all rated glass and frame combinations refer to the Series 462 WERS Data Sheet.

Single Glazed

Glass Description	Uw	SHGCw	Tvw	Inf
6.38Sct	4.25	0.54	0.63	1.15
6EVanClr	4.57	0.48	0.49	1.15
6EVanSpB	4.57	0.28	0.29	1.15
6EVanSpGn	4.57	0.28	0.35	1.15

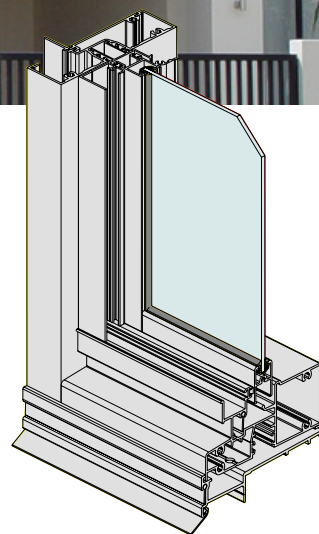
Double Glazed

Glass Description	Uw	SHGCw	Tvw	Inf
4/10/4ET	3.49	0.52	0.54	1.15
4/10Ar/4ET	3.28	0.52	0.54	1.15
4Az/10/4ET	3.48	0.31	0.45	1.15
5SG/8Ar/5ET	3.39	0.32	0.44	1.15



DESIGN FEATURES

- The 17mm thick sliding window sashes have been fitted into CentreGLAZE™ commercial framing using custom head and sill and an inlay adaptor that snaps into CentreGLAZE™ frame as shown right.
- Double sash design with the external sash fixed.
- Both fixed and opening sashes can be installed, replaced and/or reglazed from inside the building. This could be an important feature in elevated situations.
- There is a large variety of window combinations possible (SF, FS, SFS or FSSF) with and without highlights/lowlights.
- 102mm x 44mm head and sill, 102mm x 30mm jamb, 44mm mullion and 44mm transom match CentreGLAZE™ commercial framing.
- The wide (102mm x 44mm) jamb can also be used on this window.
- Sliding sashes can be fitted with a variety of latches and locks including centre multi point lock.
- The ventilation lock allows the opening sash to be key locked in the closed and partly open (ventilation) position.
- Flyscreens can be clipped into the frame without unsightly rivets, metal clips or turnbuckles.
- Sashes will accept glass up to 6.76mm thick.
- Fixed lowlights can be glazed from the inside in elevated situations by reversing the removable glazing beads and fitting custom captive wedge to the outside.
- 30mm Nailing fin frame is standard on Series 452. The nailing fin (weather bar) is an important part of the window in that it protects the internal linings and wall from water intrusion. The nailing fin also gives us a fixing point for timber reveals on brick veneer wall construction. On cavity brick construction the frame accepts height adjustable building-in lugs. These are the features that make installation and weather resistance possible.
- The custom sub-sill fitted under Series 452 windows is standard and comes with a couple of significant features:
 - Integrated nailing fin to accept timber reveal.
 - Co-extruded Santoprene anti blow back flap covering the sub-sill drainage slots.
 - Flexible PVC sill flap on the outer edge of the sub-sill to cater for possible future building settlement.
 - AWS always recommend sub-sills under commercial products.



3D & 2D CAD FILES AVAILABLE

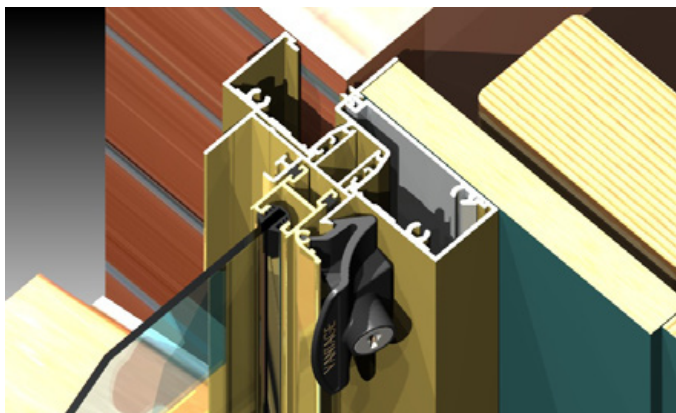


PRODUCT INFORMATION AVAILABLE AT
WWW.AWSCOMMERCIAL.COM.AU

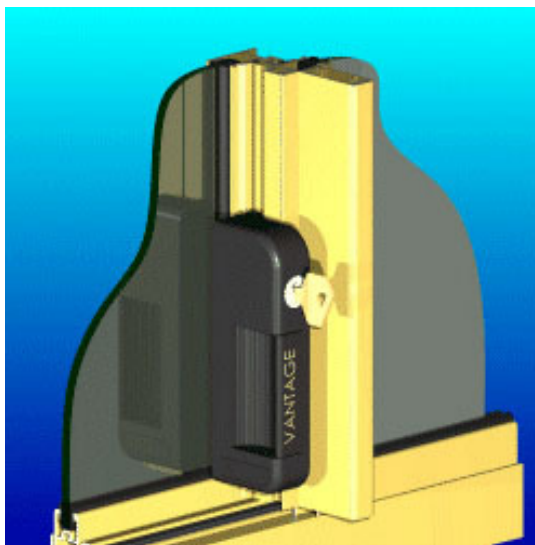


SPECIFIER ASSISTANCE AVAILABLE

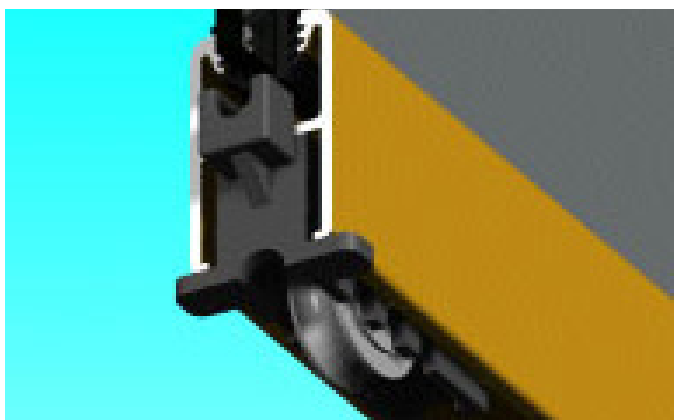
All of these and more features can be seen on our web site awsaustralia.com.au



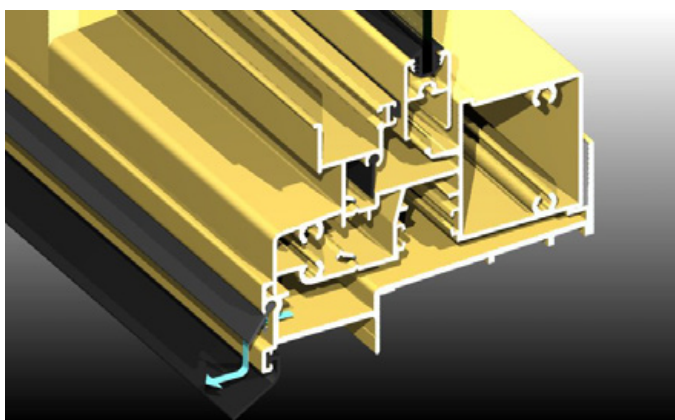
A major feature with Series 452 is the frame with in-built nailing fin (weather bar). This makes installation into cavity brick with height adjustable building-in lugs and into brick veneer walls with timber reveals as shown above possible. The standard jamb is 102 x 30mm, we also offer 102 x 44mm jamb and again with the nailing fin feature. Nailing fins may not sound that important but this built-in weather bar is what stops water traveling from the outer brick skin to the inner wall. This picture also shows the standard jamb key lock.



This alternative multi point key lock option can be fitted to the centre meeting stiles. When you turn the lock key part of the centre meeting stile is thrown into a keeper located in the head. Window can be locked in the closed or partly open positions.



Large diameter wheels used on this window ensure smooth operation for years to come. Compare our wheels with the others. The bigger the diameter the better.



Sub-sills are standard on Series 452. The sub-sill has several significant features:

- Full flashing tray guides any water that gets into the window back to the outside.
- Our custom sub-sill designed for cavity brick and brick veneer construction has built-in nailing fin to allow sill timber reveal fixing.
- The PVC flap on the outer edge of the sub-sill caters for stud wall settlement on brick veneer construction.
- Sub-sill fitted with co-extruded Santoprene drain hole cover flap to prevent blow back under extreme situations.
- Sub-sill is also stop ended to guide water back to the front.



2D & 3D CAD FILES AVAILABLE
GO TO: www.awscommercial.com.au >
CAD & Revit 3D Files
CAD file: **DWG or DXF AWS_AWS_452_I**



MORE INFORMATION
For the latest updates regarding this product visit our website www.awscommercial.com.au